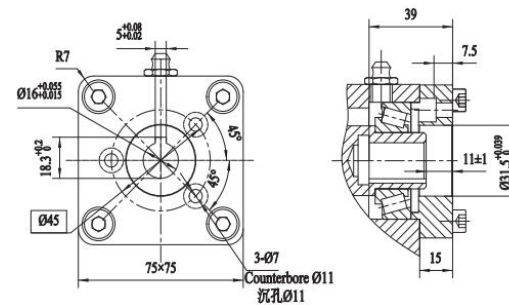
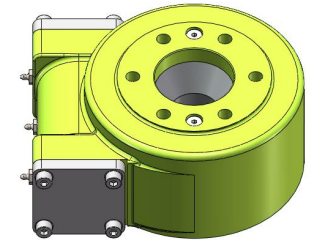
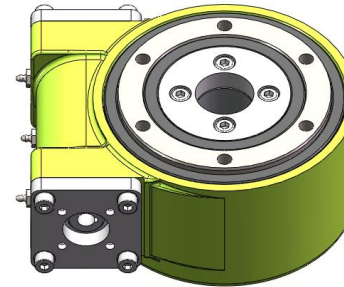
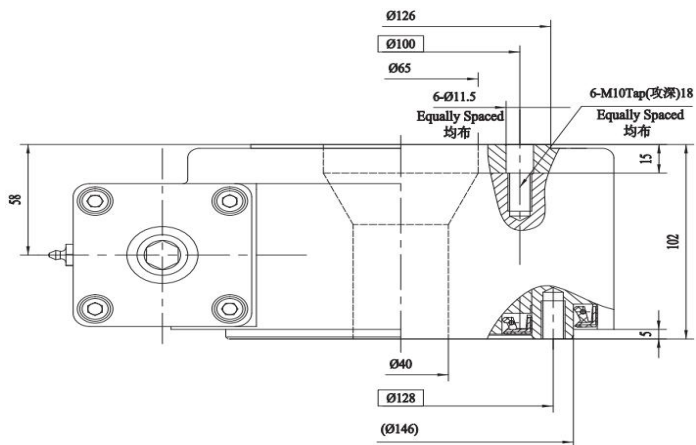
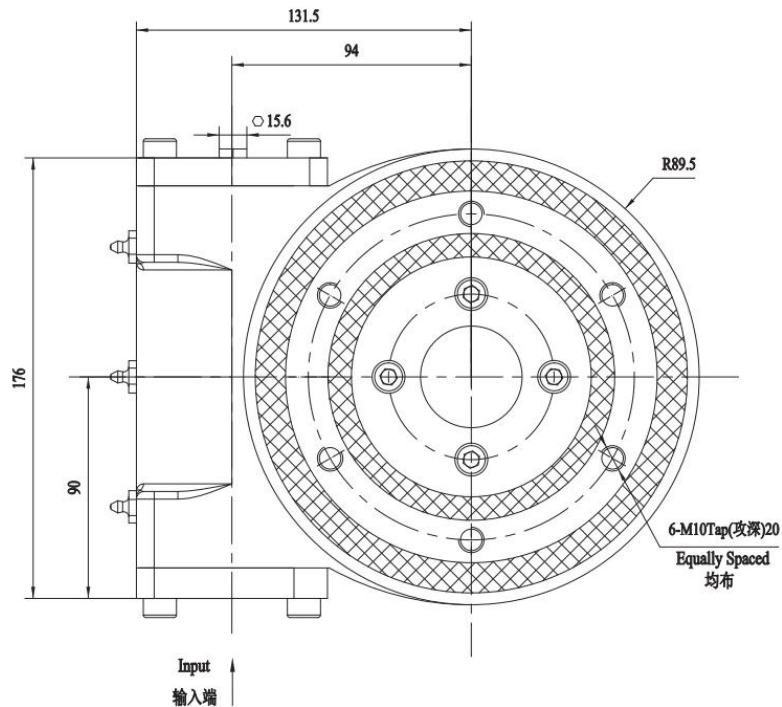


SE5&PE5



项目/Item	数值	单位
SE5&PE5	Value	Unit
输出转矩/Output Torque	600	N.m
倾覆力矩/Tilting Moment Torque	2800	N.m
保持力矩/Holding Torque	5000	N.m
轴向静载荷/Static Axial Rating	45	kN
径向静载荷/Static Radial Rating	22	kN
轴向动载荷/Dynamic Axial Rating	14.4	kN
径向动载荷/Dynamic Radial Rating	11.1	kN
减速比/Gear Ratio	62:1	—
精度等级/Tracking Precision	≤0.2 ≤0.08/0.12	°
重量/Weight	16	kg

载荷曲线图/MOMENT LOAD CHART

