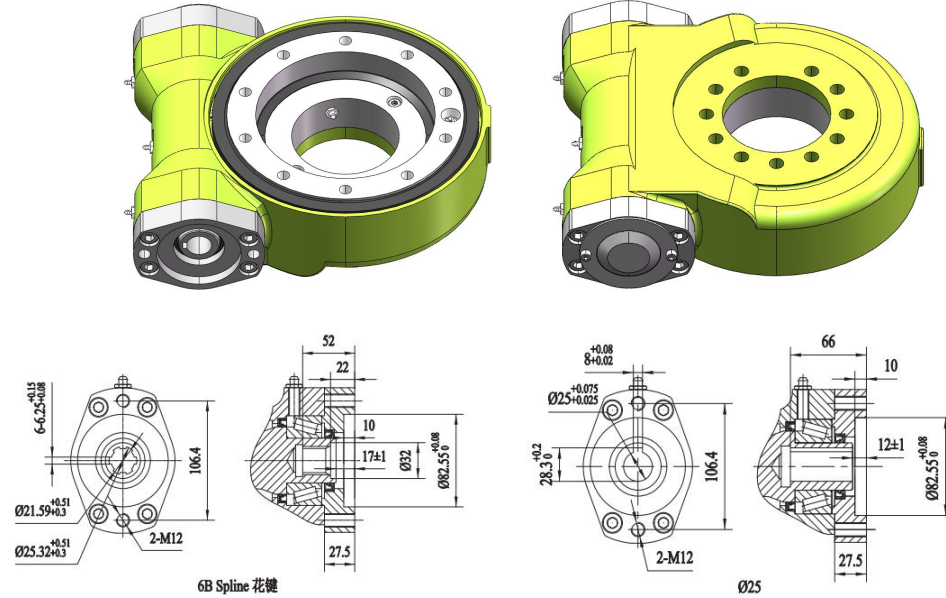
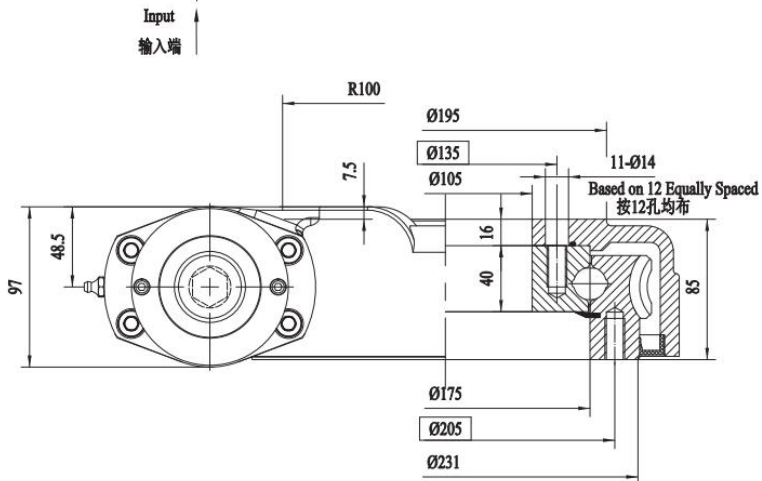
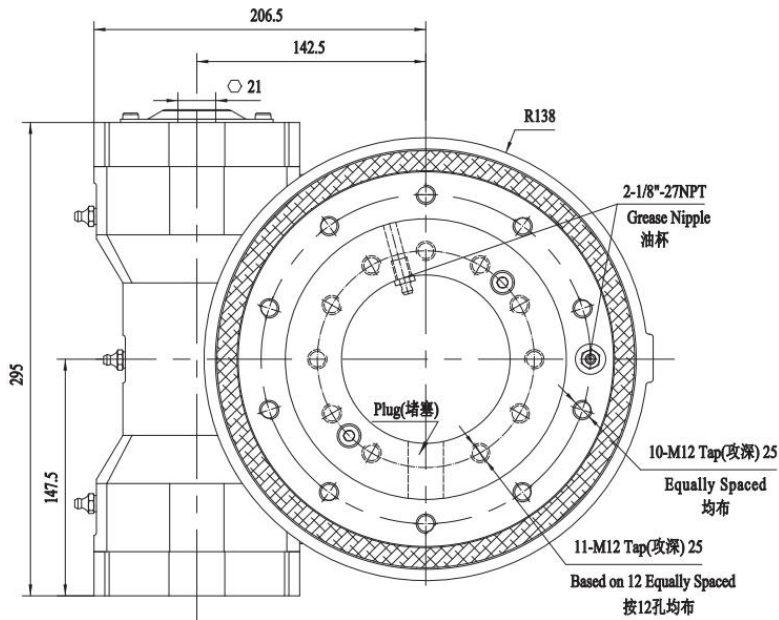


WEA7



项目/Item WEA7	数值 Value	单位 Unit
输出转矩/Output Torque	3.5	kN.m
倾覆力矩/Tilting Moment Torque	14.2	kN.m
保持力矩/Holding Torque	20	kN.m
轴向静载荷/Static Axial Rating	220	kN
径向静载荷/Static Radial Rating	90	kN
轴向动载荷/Dynamic Axial Rating	63	kN
径向动载荷/Dynamic Radial Rating	48	kN
减速比/Gear Ratio	47:1	—
精度等级/Tracking Precision	≤0.15	°
重量/Weight	35	kg

