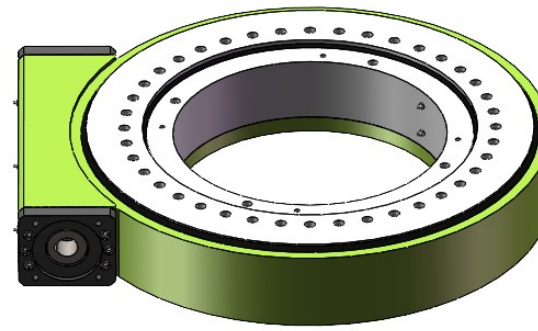
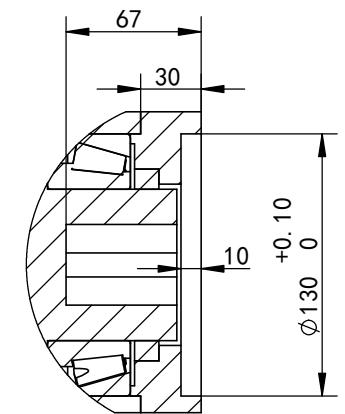
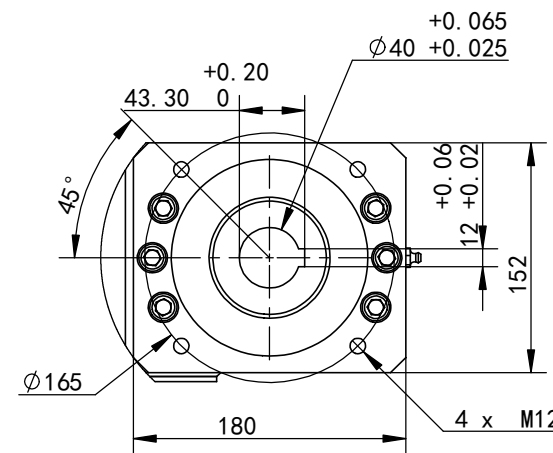
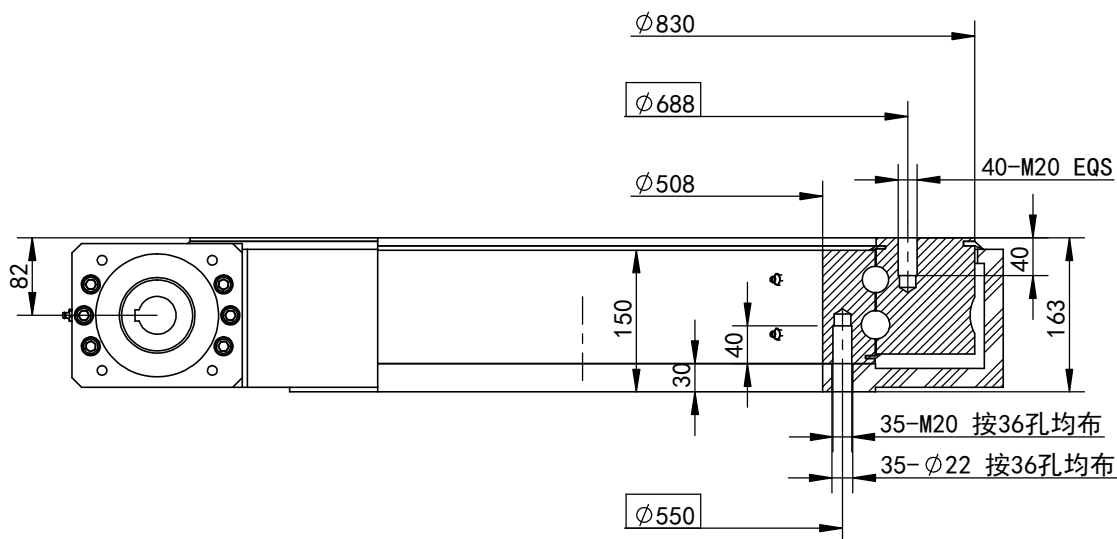

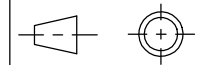


输入端



输入端



REV	DATE	REVISER	DESCRIPTION			
DESIGNED BY	Lee	22.08.25		不二传动设备 (洛阳) 有限公司 www.U-Transmission.com		回转式减速器
CHECKED BY	Bailey	22.08.25				
APPROVED BY	Lane	22.08.25				
DRAWING REV	NO.	REV.A	WEIGHT	496kg	Title	回转式减速器
NON-STANDARD	NO.	xxxx	SACLE	1:3	Model No.	
SYMBOLE ISO			SIZE	A3	Model No.	WZ-III-0620-40-1-80.0 -E-xxxx-A
			SHEET	1/1		

M	10
Z1	1
Z2	80
i	80.0
材质: 42CrMo Q+T	